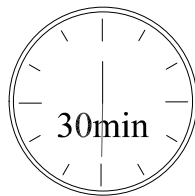
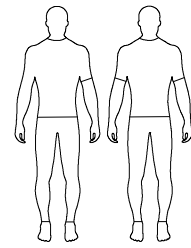
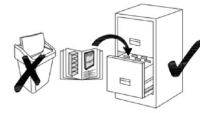
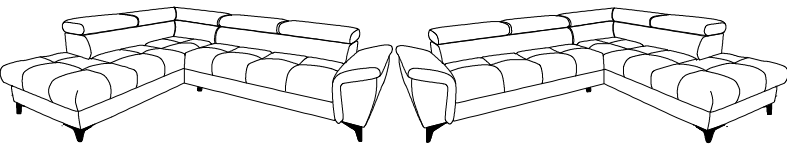
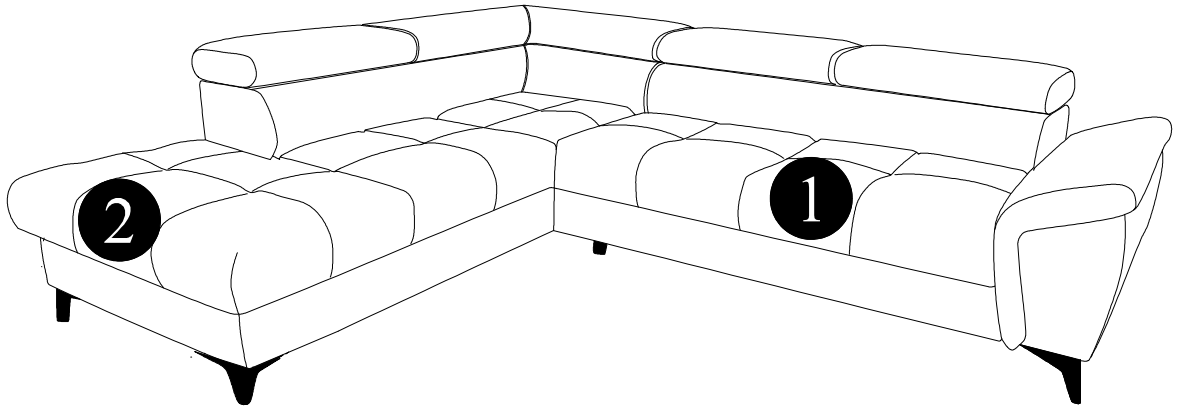


MOCCA

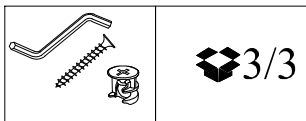
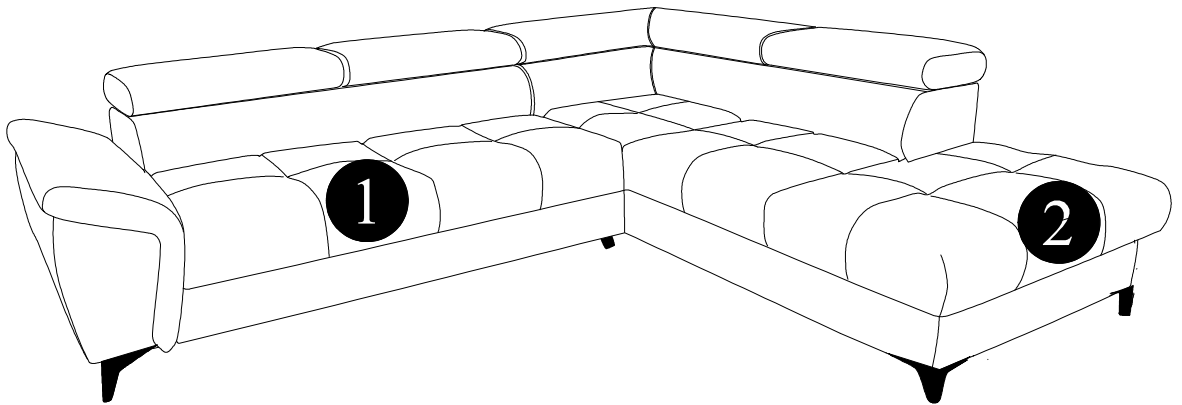


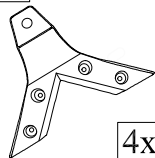


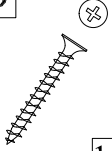
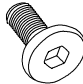


Teil	L	W	H	Pcs	Colli
1	0	0	13	1x	1/3
2	0	0	36	1x	2/3

L

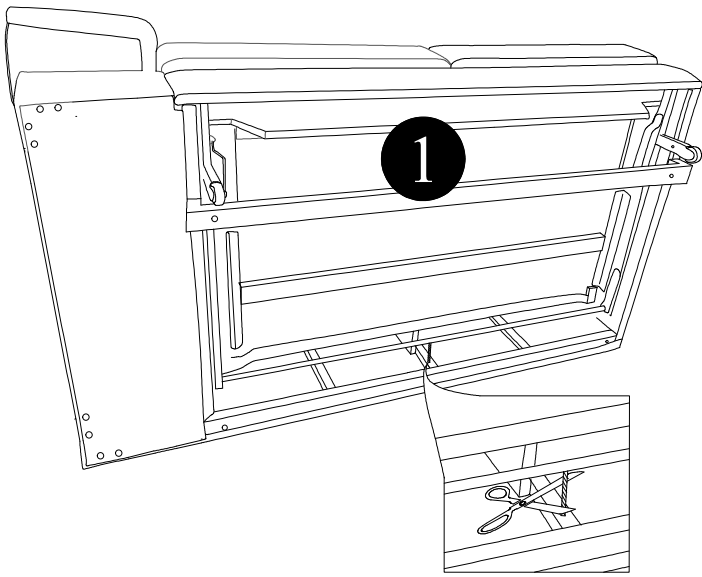


R

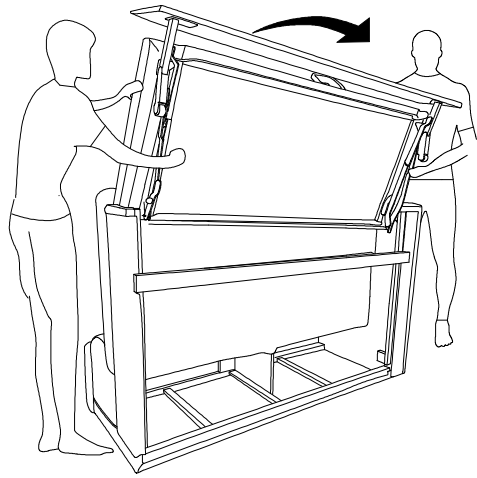




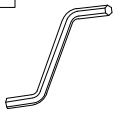
A  4x	B  5x	C  2x	D  16x	E  2x	F  2x	G  2x
H-120	H-120	H-50	3,5x35	M6 X 15	M6 X 15	

1

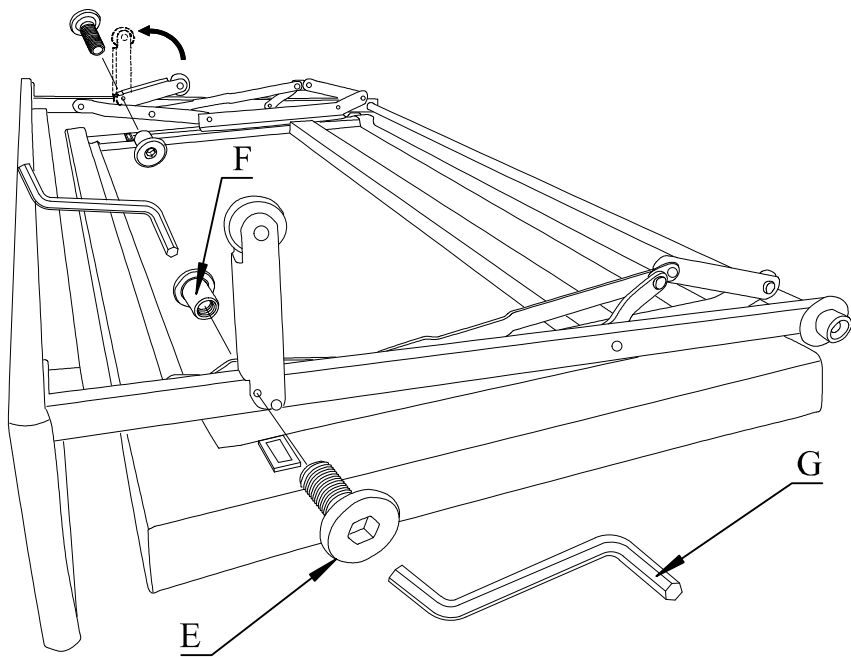


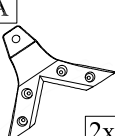


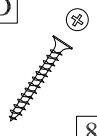
2



<p>E</p>  <p>2x</p>	<p>F</p>  <p>2x</p>	<p>G</p>  <p>2x</p>
<p>M6 X 15</p>	<p>M6 X 15</p>	

3

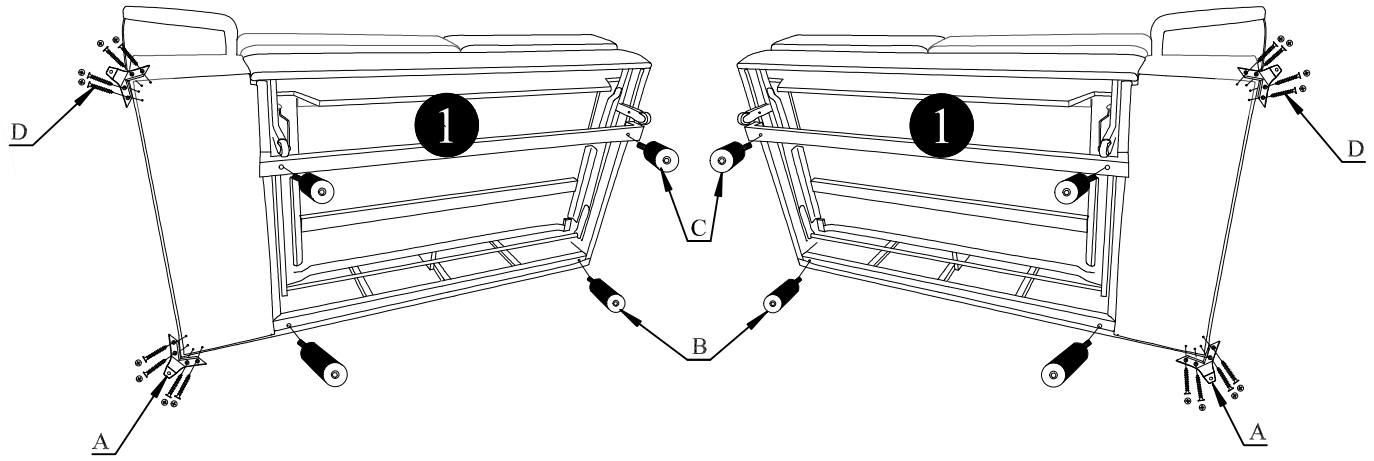


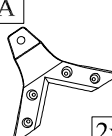

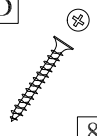
A	B	C	D
			
2x	2x	2x	8x
H-120	H-120	H-50	3,5x35

R

4

L

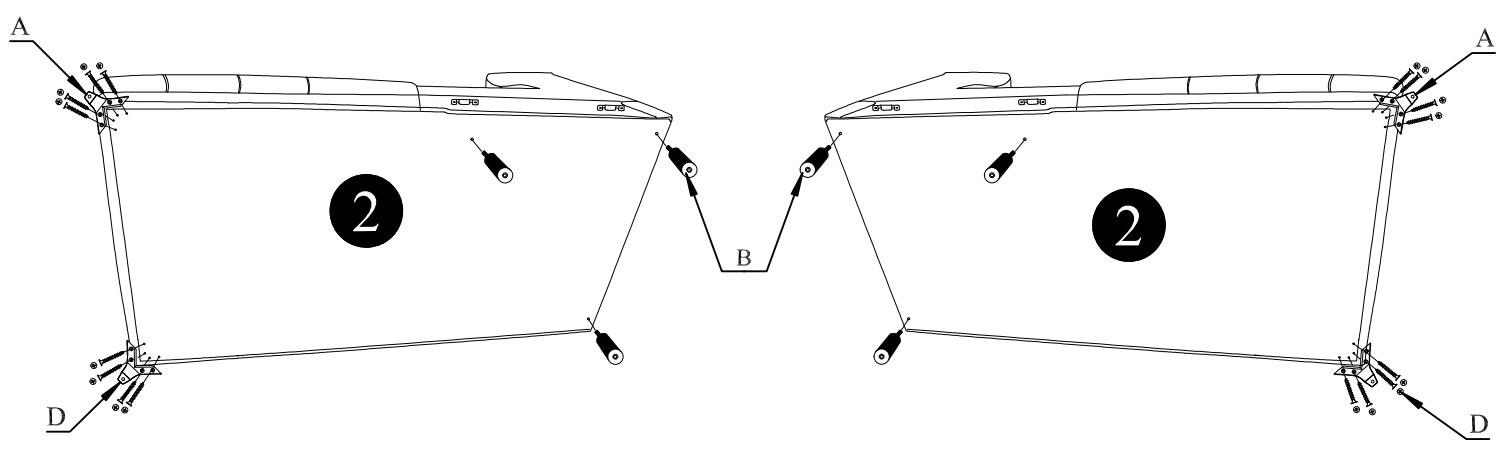


A	B	D
		
2x	3x	8x
H-120	H-120	3,5x35

L

5

R



6

